

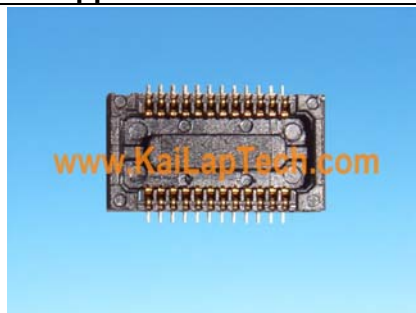
## KLT-E4MPF-OV9281 V4.0

OmniVision OV9281 Global Shutter MIPI e Parallela DVP Interfaccia Messa a fuoco fissa 1MP Modulo telecamera

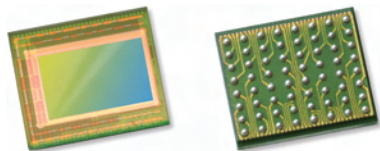


<b>Modulo telecamera n.</b>	<b>KLT-E4MPF-OV9281 V4.0</b>
<b>Sensore d'immagine</b>	OV9281
<b>EFL</b>	2.33 mm
<b>F.NO</b>	2.5
<b>Pixel</b>	1296 x 816
<b>Vista ad angolo</b>	120°(D) 99°(H) 55°(V)
<b>Tipo di lente</b>	1/4 pollice
<b>Dimensioni dell'obiettivo</b>	8.00 x 8.00 x 12.50 mm
<b>Dimensione del modulo</b>	120.00 x 10.00 mm
<b>Tipo di modulo</b>	Messa a fuoco fissa
<b>Interfaccia</b>	MIPI e Parallela DVP

**Connettore di accoppiamento Codice. DF30FC-24DS-0.4V**



Connettore di accoppiamento sulla scheda principale. Venduto separatamente.



# OV9281-OV9282 1-megapixel product brief



## 1-Megapixel OmniPixel3-GS™ Sensors for Computer Vision Applications



available in a lead-free package

OmniVision's OV9281 and OV9282 are high-speed global shutter image sensors that bring 1-megapixel resolution to a wide range of consumer and industrial computer vision applications, including augmented reality (AR), virtual reality (VR), collision avoidance in drones, bar code scanning and factory automation. Built on OmniVision's OmniPixel3-GS™ pixel technology, the OV9281 and OV9282 feature a high-speed global shutter pixel with best-in-class near-infrared (NIR) quantum efficiency (QE) to meet high-resolution and low-latency requirements.

Special features of the OV9281 and OV9282 include region of interest (ROI) selection and context switching. This allows some of the camera settings to change dynamically as fast as alternating frames. The sensors are available in both narrow and wide chief ray angle (CRA) settings.

The 1/4-inch OV9281 and OV9282 capture 1280 x 800 resolution images at 120 frames per second (fps) and VGA resolution at 180 fps with 2-lane MIPI and DVP output. The OV9281 and OV9282 also feature support for frame synchronization and dynamic defective pixel correction.

The OV9281 has a chief ray angle (CRA) of 9 degrees and comes in a chip scale package (CSP). The OV9282 features a CRA of 27 degrees and is available in a reconstructed wafer (RW) format. Both sensors are currently available in volume production.

Find out more at [www.ovt.com](http://www.ovt.com).



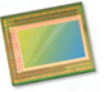
## Applications

- Consumer HMD
- Drones
- Machine Vision
- PCNB

## Product Features

- 3  $\mu\text{m}$  x 3  $\mu\text{m}$  pixel with OmniPixel3-GS™ technology
- automatic black level calibration (ABLC)
- programmable controls for:
  - frame rate
  - mirror and flip
  - cropping and windowing
- support output formats: 8/10-bit RAW
- fast mode switching
- supports 2x2 monochrome binning
- two-lane MIPI serial output interface
- DVP parallel output interface
- supports horizontal and vertical 2:1 and 4:1 monochrome subsampling
- support for image sizes:
  - 1280 x 800
  - 1280 x 720
  - 640 x 480
  - 640 x 400
- embedded 256 bits of one-time programmable (OTP) memory for part identification
- two on-chip phase lock loops (PLLs)
- LED PWM
- built-in strobe control

# OV9281-OV9282



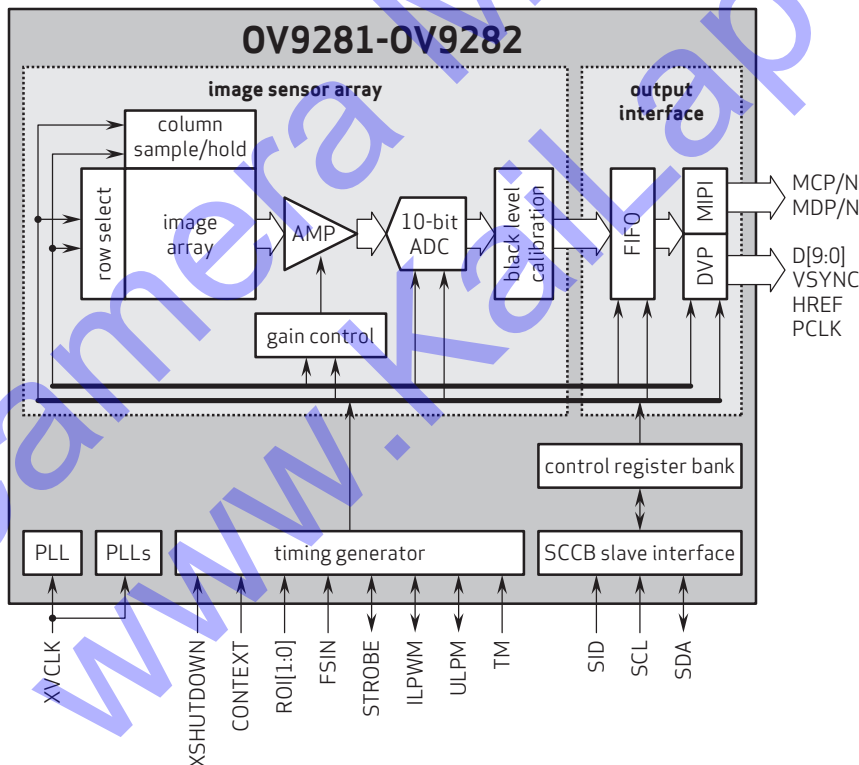
## Ordering Information

- OV9281-H64A (b&w, lead-free, 64-pin CSP5)
- OV9282-GA4A (b&w, lead-free, 200  $\mu\text{m}$  background, reconstructed wafer with good die)

## Product Specifications

- active array size: 1296 x 816
- power supply:
  - core: 1.2V (nominal)
  - analog: 2.8V (nominal)
  - I/O: 1.8V (nominal)
- power requirements:
  - active: 134 mW
  - standby: 65  $\mu\text{A}$
  - XSHUTDOWN: 50  $\mu\text{A}$
- temperature range:
  - operating: -30°C to +85°C junction temperature
  - stable image: 0°C to +50°C junction temperature
- output interfaces:
  - 2-lane MIPI serial output and DVP parallel output
- output formats: 8/10-bit RAW
- lens size: 1/4"
- lens chief ray angle:
  - OV9281: 9° linear
  - OV9282: 26.78° non-linear
- input clock frequency: 6 - 27 MHz
- scan mode: progressive
- maximum image transfer rate:
  - 1280 x 800: 120 fps
- minimum exposure time: 1 row period
- maximum exposure time:
  - frame length - 12 row periods, where frame length is set by registers [0x380E, 0x380F]
- pixel size: 3  $\mu\text{m}$  x 3  $\mu\text{m}$
- image area: 3896  $\mu\text{m}$  x 2453  $\mu\text{m}$
- package dimensions:
  - OV9281 CSP5: 5237  $\mu\text{m}$  x 4463  $\mu\text{m}$
  - OV9282 RW: 5252  $\mu\text{m}$  x 4478  $\mu\text{m}$

## Functional Block Diagram



4275 Burton Drive  
Santa Clara, CA 95054  
USA

Tel: + 1 408 567 3000  
Fax: + 1 408 567 3001  
www.ovt.com

OmniVision reserves the right to make changes to their products or to discontinue any product or service without further notice. OmniVision, the OmniVision logo and OmniPixel are registered trademarks of OmniVision Technologies, Inc. OmniPixel3-GS is a trademark of OmniVision Technologies, Inc. All other trademarks are the property of their respective owners.



OmniVision